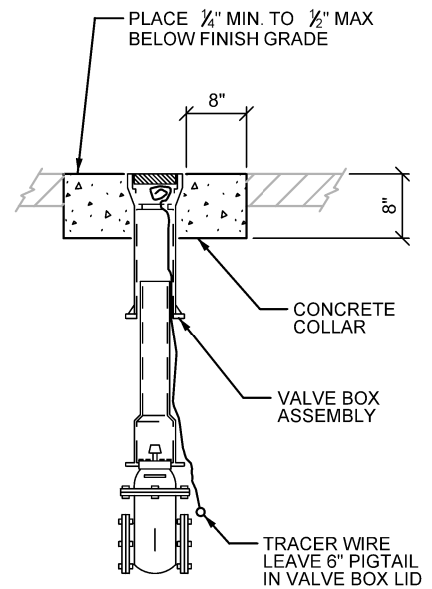


**TYPICAL CULINARY WATER LINE
TRENCH SECTION**



**TYPICAL VALVE BOX &
CONCRETE COLLAR**

NOTES

1. INSPECTION: PRIOR TO BACKFILLING, SECURE INSPECTION OF INSTALLATION BY ENGINEER OR DISTRICT REPRESENTATIVE.
2. BACKFILL: PROVIDE AND PLACE PER DISTRICT STANDARD SECTION 31 05 13. COMPACT PER SECTION 31 23 26 TO A MODIFIED PROCTOR DENSITY OF 95 PERCENT OR GREATER. MAXIMUM LIFT THICKNESS IS 8 INCHES BEFORE COMPACTION.
 - A. DO NOT USE SEWER ROCK OR RECYCLED RAP AGGREGATE IN THE PIPE ZONE.
 - B. COMPACT BEDDING AROUND PIPE
 - C. FLOWABLE FILL (ONLY USE AS DIRECTED BY DISTRICT)
 - 1) PROVIDE AND PLACE CONTROLLED LOW STRENGTH MATERIAL PER APWA SECTION 31 05 15 IF ALLOWED BY PIPE MANUFACTURER.
 - 2) PREVENT PIPE FLOTATION BY INSTALLING IN LIFTS AND PROVIDE PIPE RESTRAINTS AS REQUIRED BY PIPE MANUFACTURER.
 - 3) RESET PIPE TO LINE AND GRADE IF PIPE FLOATS OUT OF POSITION.
3. PIPE: CULINARY WATER LINE MAINS SHALL BE PVC AND CULINARY SERVICE LATERALS SHALL BE HDPE, AS PER DISTRICT.
4. MECHANICAL JOINT CONNECTIONS SHALL INCLUDE "GRIP RING".
5. PIPE LOCATION: INSTALL PIPE IN CENTER OF TRENCH OR NO CLOSER THAN 9-IN FROM WALL OF PIPE TO WALL OF TRENCH. HORIZONTAL DISTANCE BETWEEN CULINARY WATER AND SANITARY SEWER SHALL BE AT LEAST 10-FT. VERTICAL DISTANCE SHALL BE A MINIMUM OF 18-IN. WATER MAINS AND SEWER LINES SHALL NOT BE INSTALLED IN SAME TRENCH.
6. PEA GRAVEL: PEA GRAVEL IS NOT ALLOWED IN ANY PART OF THE PIPE ZONE.
7. FOUNDATION STABILIZATION: USE SEWER ROCK, APWA SECTION 31 05 13. INSTALLATION OF STABILIZATION-SEPARATION GEOTEXTILE PER APWA SECTION 31 05 19 WILL BE REQUIRED TO SEPARATE BACKFILL MATERIAL AND NATIVE SUBGRADE MATERIALS IF SEWER ROCK CANNOT PROVIDE A WORKING SURFACE OR TO PREVENT SOILS MIGRATION.
8. CONCRETE COLLAR: CLASS 4000 CONCRETE. JOINTS: PROVIDE A NEAT STRAIGHT JOINT BETWEEN EXISTING AND NEW CONCRETE SURFACE. PROVIDE CONCENTRIC CIRCLE CUT. CLEAN EDGES OF ALL DIRT, OIL AND LOOSE DEBRIS.



**CULINARY WATER TRENCH SECTION
& TYPICAL VALVE BOX COLLAR**

SDWD
STANDARD
DETAIL

JULY 2016

103